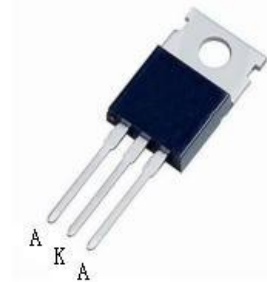


SCHOTTKY RECTIFIERS

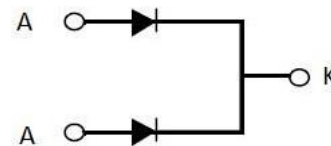
Features:

- High ESD capacity
- High junction temperature capability
- High frequency operation
- Low leakage current
- High surge capacity



Applications:

- Switching mode power supply
- High frequency inverter circuit
- Polarity protection circuit



Product Summary	
V_R	45 V
$I_{F(AV)}$	2*8A
T_j	125 °C
$V_F(max.)$	0.650V

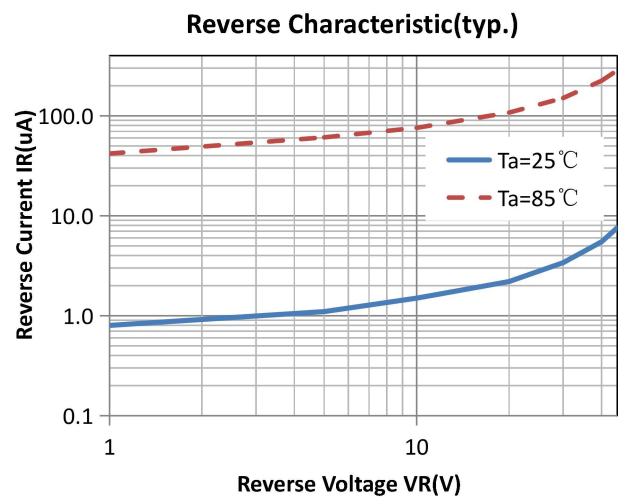
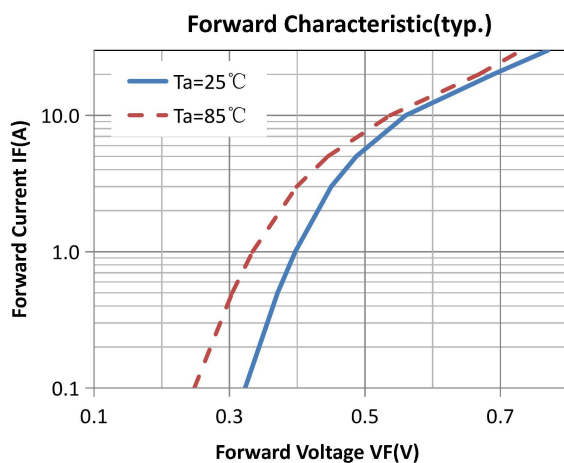
Absolute Maximum Ratings			
Parameter	Symbol	Values	Units
Repetitive peak reverse voltage	V_{RRM}	45	V
Continuous forward current	$I_{F(AV)}$	16	A
Single pulse forward current	I_{FSM}	175	
Operating junction	T_j	125	°C
Storage temperatures	T_{stg}	-55 to +150	°C
Peak Repetitive Reverse Surge Current	I_{RRM}	5	A

Electrical characteristics (Ta=25°C unless otherwise specified)						
Parameter	Symbol	Test Conditions	Min	Typ.	Max.	Units
Breakdown voltage Blocking voltage	V_{BR} , V_R	$I_R=100\mu A$	45			V
Forward voltage (Per Diode)	V_F	$I_F=8A$		0.590	0.650	
		$I_F=8A, T_j=85^\circ C$		0.550	0.620	
Reverse leakage current(Per Diode)	I_R	$V_R=V_{RRM}$			100	μA
		$T_j=85^\circ C, V_R=45V$			10	mA

Thermal characteristics

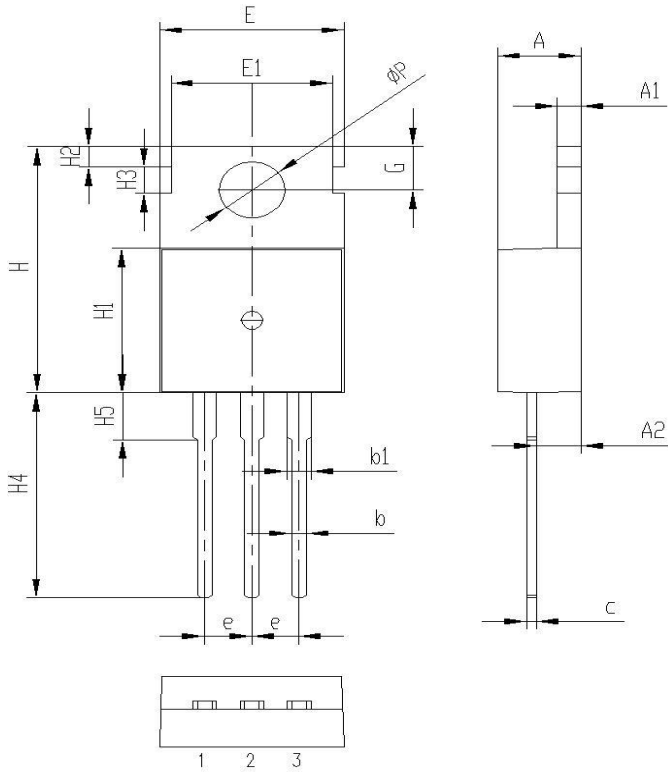
Parameter	Symbol	Typ.	Units
Junction-to-Case	$R_{\theta JC}$	1.67	$^\circ C/W$

Electrical performance (typic)



Package Information

TO-220C PACKAGE



Symbol	Unit mm		
	Min	Typ	Max
A	4.30	4.5	4.70
A1	1.17	1.27	1.37
A2	2.20	2.4	2.60
b	0.60	0.8	1.00
b1	1.17	1.27	1.37
b2	1.90	2.1	2.30
c	0.40	0.5	0.60
e	2.44	2.54	2.64
E	9.90	10	10.1
E1	8.50	8.7	8.90
H	15.5	15.7	15.9
H1	9.00	9.2	9.40
H2	1.10	1.3	1.50
H3	1.50	1.7	1.90
H4	12.8	13.2	13.6
H5	2.80	3.0	3.20
G	2.60	2.8	3.00
ϕP	3.40	3.6	3.80