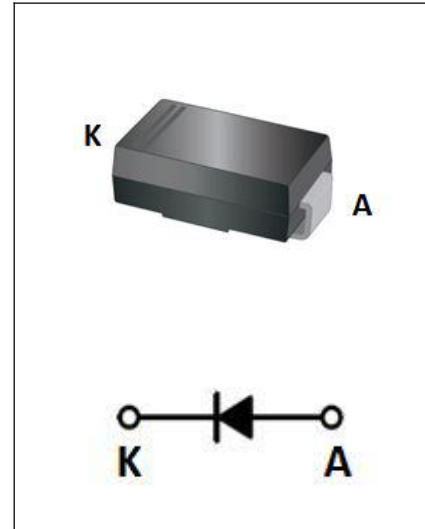


SCHOTTKY RECTIFIERS

Features:

- Low power loss,high efficiency
- High surge capacity
- For use in low voltage,high frequency inverters, free wheeling,and polarity protection applications
- Metal silicon junction,majority carrier conduction
- Guard ring for over voltage protection



Absolute Maximum Ratings($T_c=25^\circ\text{C}$):

Characteristics	Symbol	Rating	Unit
Maximum Repetitive Reverse Voltage	V_{RRM}	100	V
Average Rectified Forward Current	$I_{F(AV)}$	5	A
Non-repetitive Peak Forward Surge Current 8.3ms Single Half-Sine-Wave	I_{FSM}	150	A
Junction temperature	T_j	-55~150	$^\circ\text{C}$
Storage temperature range	T_{STG}	-55~150	$^\circ\text{C}$

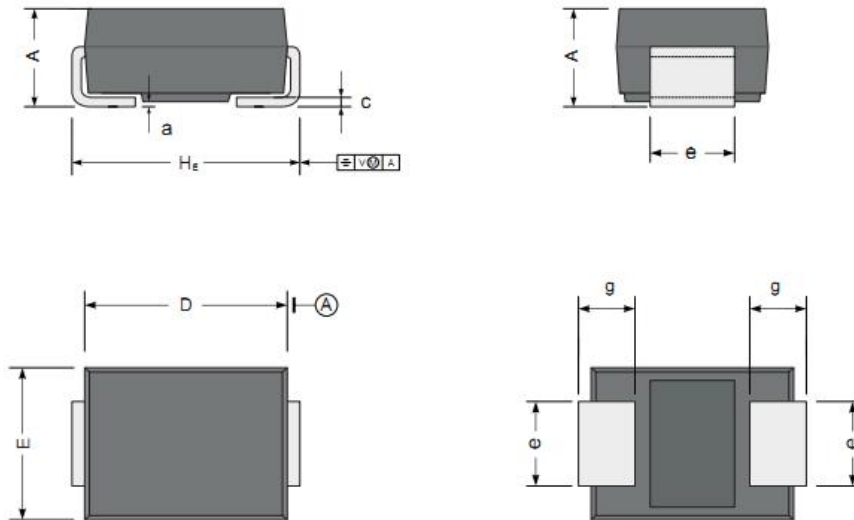
Electrical Characteristics($T_c=25^\circ\text{C}$) :

Characteristics	Symbol	Test Condition	Min	Typ	Max	Unit
Forward Voltage	V_F	$I_F=5\text{A}; T_c=25^\circ\text{C}$		0.65	0.85	V
Reverse Current	I_R	$V_R=100\text{V}; T_c=25^\circ\text{C}$ $V_R=100\text{V}; T_c=100^\circ\text{C}$			0.10 15.0	mA
Maximum Repetitive Reverse Voltage	V_{RRM}	$I_R=100\mu\text{A}; T_c=25^\circ\text{C}$	100			V

Symbol	Parameter	Typ	Units
$R_{\theta JA}$	Junction-to-Ambient	10	$^\circ\text{C}/\text{W}$

Package Information

SMB PACKAGE



UNIT		A	D	E	H _E	a	c	e	g
mm	max	2.44	4.83	3.94	5.59	0.21	0.305	2.2	1.5
	min	2.13	4.32	3.3	5.08	0.05	0.152	1.8	0.9
mil	max	96	190	155	220	8.3	12	87	59
	min	83	170	130	200	2.0	6	71	35