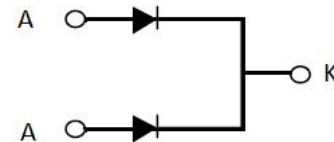
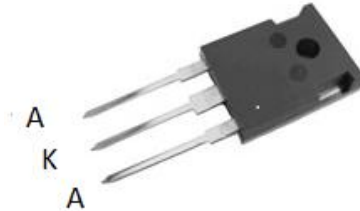


SCHOTTKY RECTIFIERS

Features:

- High ESD capacity
- High junction temperature capability
- High frequency operation
- Low leakage current
- High surge capacity



Applications:

- Switching mode power supply
- High frequency inverter circuit
- Polarity protection circuit

| Product Summary | |
|-----------------|--------|
| V_R | 100 V |
| $I_{F(AV)}$ | 2*20A |
| T_j | 150°C |
| $V_F(max.)$ | 0.850V |

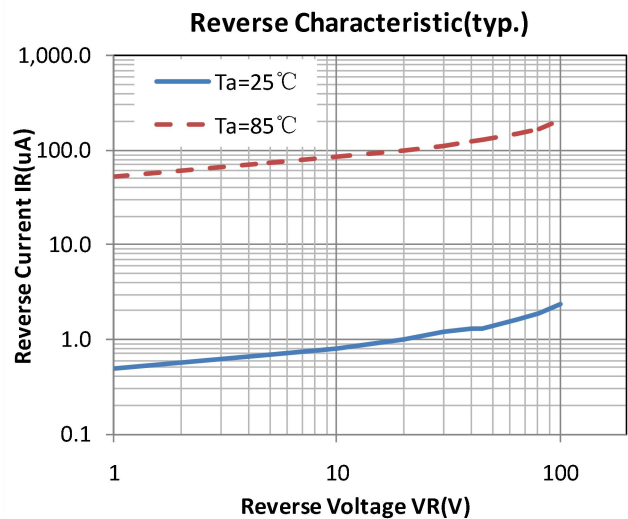
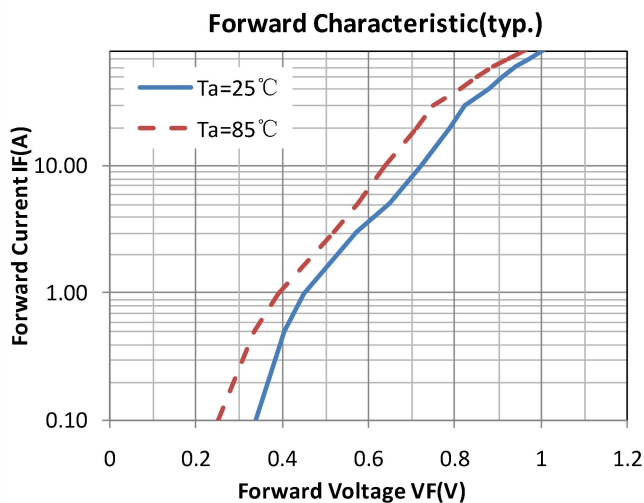
| Absolute Maximum Ratings | | | |
|---------------------------------------|-------------|-------------|-------|
| Parameter | Symbol | Values | Units |
| Repetitive peak reverse voltage | V_{RRM} | 100 | V |
| Continuous forward current | $I_{F(AV)}$ | 40 | A |
| Single pulse forward current | I_{FSM} | 200 | |
| Operating junction | T_j | 150 | °C |
| Storage temperatures | T_{stg} | -55 to +150 | °C |
| Peak Repetitive Reverse Surge Current | I_{RRM} | 8 | A |

| Electrical characteristics (Ta=25°C unless otherwise specified) | | | | | | |
|---|---------------------|-----------------------------|-----|-------|-------|---------|
| Parameter | Symbol | Test Conditions | Min | Typ. | Max. | Units |
| Breakdown voltage Blocking voltage | V_{BR} , V_R | $I_R=100\mu A$ | 100 | | | V |
| Forward voltage (Per Diode) | V_F | $I_F=20 A$ | | 0.785 | 0.850 | |
| | | $I_F=20 A, T_j=85^\circ C$ | | 0.710 | 0.800 | |
| Reverse leakage current(Per Diode) | I_R | $V_R=V_{RRM}$ | | | 20 | μA |
| | | $T_j=125^\circ C, V_R=100V$ | | | 10 | mA |

Thermal characteristics

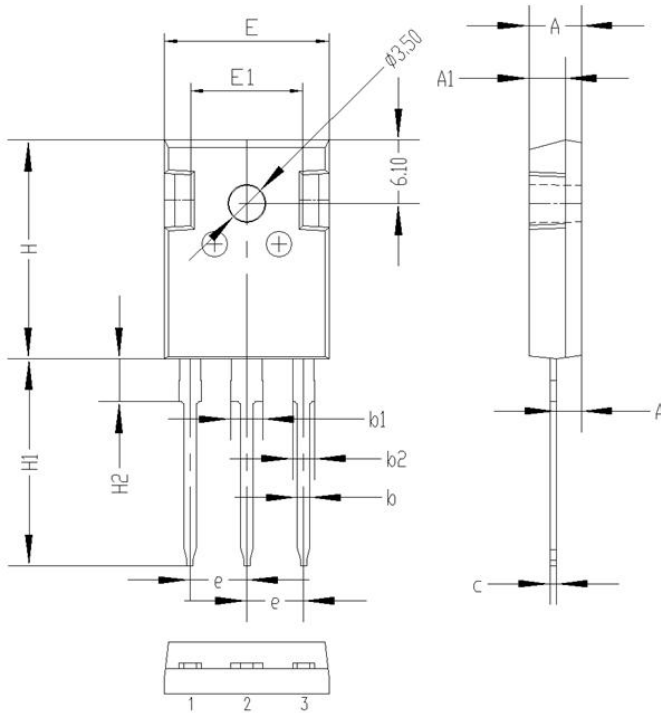
| Parameter | Symbol | Typ. | Units |
|------------------|-----------------|------|--------------|
| Junction-to-Case | $R_{\theta JC}$ | 0.8 | $^\circ C/W$ |

Electrical performance (typic)



Package Information

TO-247 PACKAGE



| Symbol | Dimensions(millimeters) | |
|----------|-------------------------|-------|
| | Min. | Max. |
| A | 4.80 | 5.20 |
| A1 | 3.30 | 3.70 |
| A2 | 2.10 | 2.50 |
| b | 1.00 | 1.40 |
| b1 | 2.90 | 3.30 |
| b2 | 1.90 | 2.30 |
| c | 0.40 | 0.80 |
| e | 5.25 | 5.65 |
| E | 15.6 | 16.0 |
| E1 | 10.6 | 11.00 |
| H | 20.8 | 21.2 |
| H1 | 19.4 | 20.4 |
| H2 | 3.90 | 4.30 |
| G | 5.90 | 6.30 |
| ΦP | 3.30 | 3.70 |