

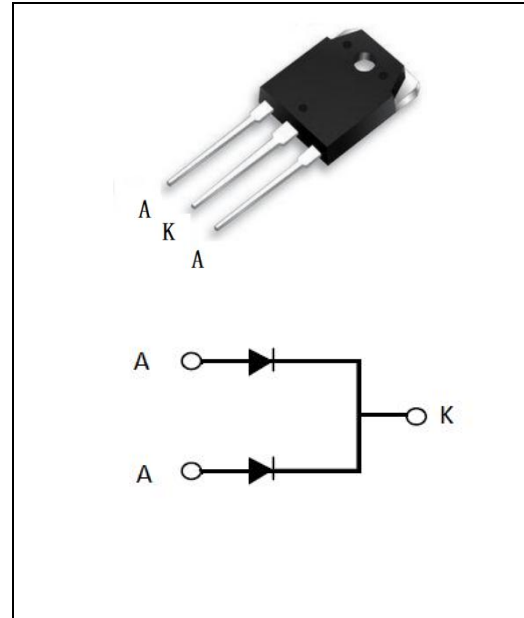
## SCHOTTKY RECTIFIERS

### Features:

- High ESD capacity
- High junction temperature capability
- High frequency operation
- Low leakage current
- High surge capacity

### Applications:

- Switching mode power supply
- High frequency inverter circuit
- Polarity protection circuit



Product Summary	
$V_R$	150 V
$I_{F(AV)}$	2*15A
$T_j$	150°C
$V_F(max.)$	0.850V

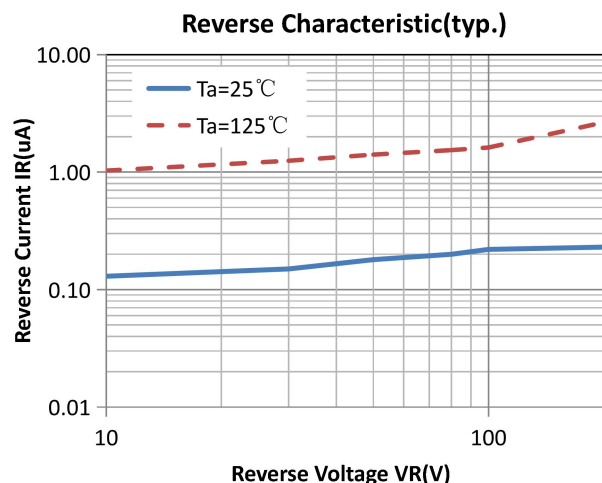
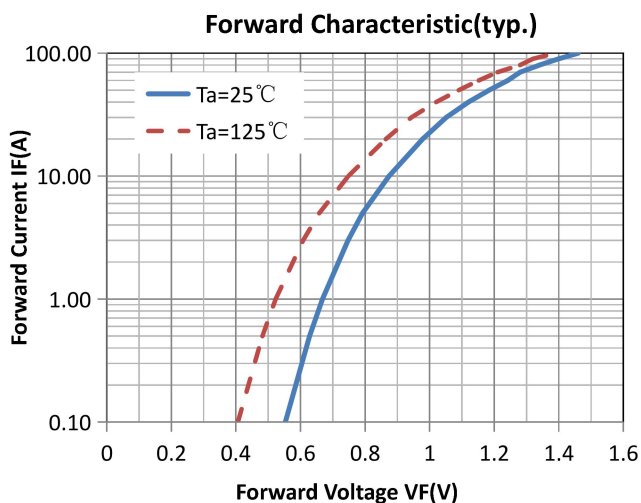
Absolute Maximum Ratings			
Parameter	Symbol	Values	Units
Repetitive peak reverse voltage	$V_{RRM}$	150	V
Continuous forward current	$I_{F(AV)}$	30	A
Single pulse forward current	$I_{FSM}$	150	
Operating junction	$T_j$	150	°C
Storage temperatures	$T_{stg}$	-55 to +150	°C
Peak Repetitive Reverse Surge Current	$I_{RRM}$	10	A

Electrical characteristics (Ta=25°C unless otherwise specified)						
Parameter	Symbol	Test Conditions	Min	Typ.	Max.	Units
Breakdown voltage Blocking voltage	$V_{BR}$ , $V_R$	$I_R=100\mu A$	150			V
Forward voltage (Per Diode)	$V_F$	$I_F=15A$		0.9	1.2	
		$I_F=15 A, T_j=85^\circ C$		0.8	1.1	
Reverse leakage current(Per Diode)	$I_R$	$V_R= V_{RRM}$			20	$\mu A$
		$T_j=125^\circ C, V_R=150V$			10	mA

### Thermal characteristics

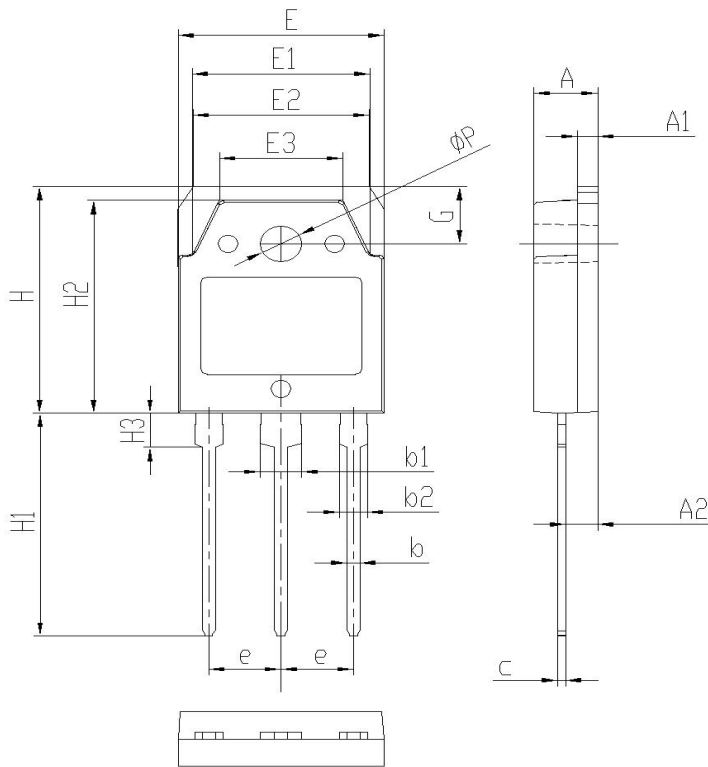
Parameter	Symbol	Typ.	Units
Junction-to-Case	$R_{\theta JC}$	0.8	$^\circ C/W$

### Electrical performance (typic)



## Package Information

### TO-3PB PACKAGE



Symbol	UNIT mm		
	Min	Typ	Max
A	4.60	4.80	5.00
A1	1.3	1.5	1.7
A2	2.20	2.40	2.60
b	0.80	1.0	1.20
b1	2.90	3.10	3.30
b2	1.80	2.00	2.20
c	0.50	0.60	0.70
e	5.25	5.45	5.65
E	15.2	15.6	16.0
E1	13.2	13.4	13.6
E2	15.1	15.3	16.5
E3	9.1	9.3	9.5
H	19.8	20.0	20.2
H1	19.0	19.5	20.0
H2	18.3	18.5	18.7
H3	2.8	3.0	3.2
G	4.8	5.0	5.2
$\Phi P$	3.00	3.20	3.40